



BP 249 Z. I.
44 158 ANCENIS CEDEX FRANCE
TEL : +33 (0)2 40 09 10 11

YOUR CONCESSIONAIRE

REF : 547 368 EN (04 / 04)

ACCESS PLATFORM 81XE

REPAIRS MANUAL

1st EDITION

09 / 2002

ISSUE DATE

COMMENTS

09/2002

1st edition

04/2004

Updated

Addition of chapters

- 35-8-21-M.86
- 70-2-56-M.86
- 70-2-80-M.86
- 70-5-M.86
- 70-7-M.86
- 75-2-40-M.86
- 80-2-12-M.86
- 80-2-13-M.86
- 80-7-M.86
- 80-8-5-M.86
- 80-8-6-M.86
- 80-8-10-M.86
- 80-8-81-M.86
- 80-8-85-M.86
- 100-M.86

CONTENTS

GROUPS	SECTIONS	MACHINES	
0	General Points		
0-1-M.86 EN	Technical characteristics	81 XE	0-1-M.86
35	Rear Axle		
35-8-21-M.86 EN	Free-wheeling	81 XE	35-8-21-M.86
70	Hydraulics		
70-7-M.86 EN	Location of the hydraulic components	81 XE	70-7-M.86
70-2-56-M.86 EN	Removing the distributor elements	81 XE	70-2-56-M.86
70-2-80-M.86 EN	Removing the cylinders	81 XE	70-2-80-M.86
70-5-M.86 EN	Hydraulic pressure	81 XE	70-5-M.86
70-6-M.86 EN	Hydraulic layout	81 XE	70-6-M.86
75	Hydrostatic		
75-2-40-M.86 EN	Removing the motors & the wheel brakes	81 XE	75-2-40-M.86
80	Electricity		
80-7-M.86 EN	Location of the electrical components	81 XE	80-7-M.86
80-2-12-M.86 EN	Removing the traction batteries	81 XE	80-2-12-M.86
80-2-13-M.86 EN	Removing the electrical cable looms	81 XE	80-2-13-M.86
80-6-M.86 EN	Electrical layouts	81 XE	80-6-M.86
80-8-5-M.86 EN	Checking the operation of the battery charger	81 XE	80-8-5-M.86

CONTENTS

GROUPS	SECTIONS	MACHINES	
80-8-6-M.86 EN	Checking the operations of the variable speed drive	81 XE	80-8-6-M.86
80-8-10-M.86 EN	Checking the operation of the electronic modules	81 XE	80-8-10-M.86
80-8-81-M.86 EN	Position and adjustment of the contactors	81 XE	80-8-81-M.86
80-8-85-M.86 EN	Testing the manipulator	81 XE	80-8-85-M.86
100	Troubleshooting		
100-M.86 EN	Troubleshooting	81 XE	100-M.86

GROUPS 0

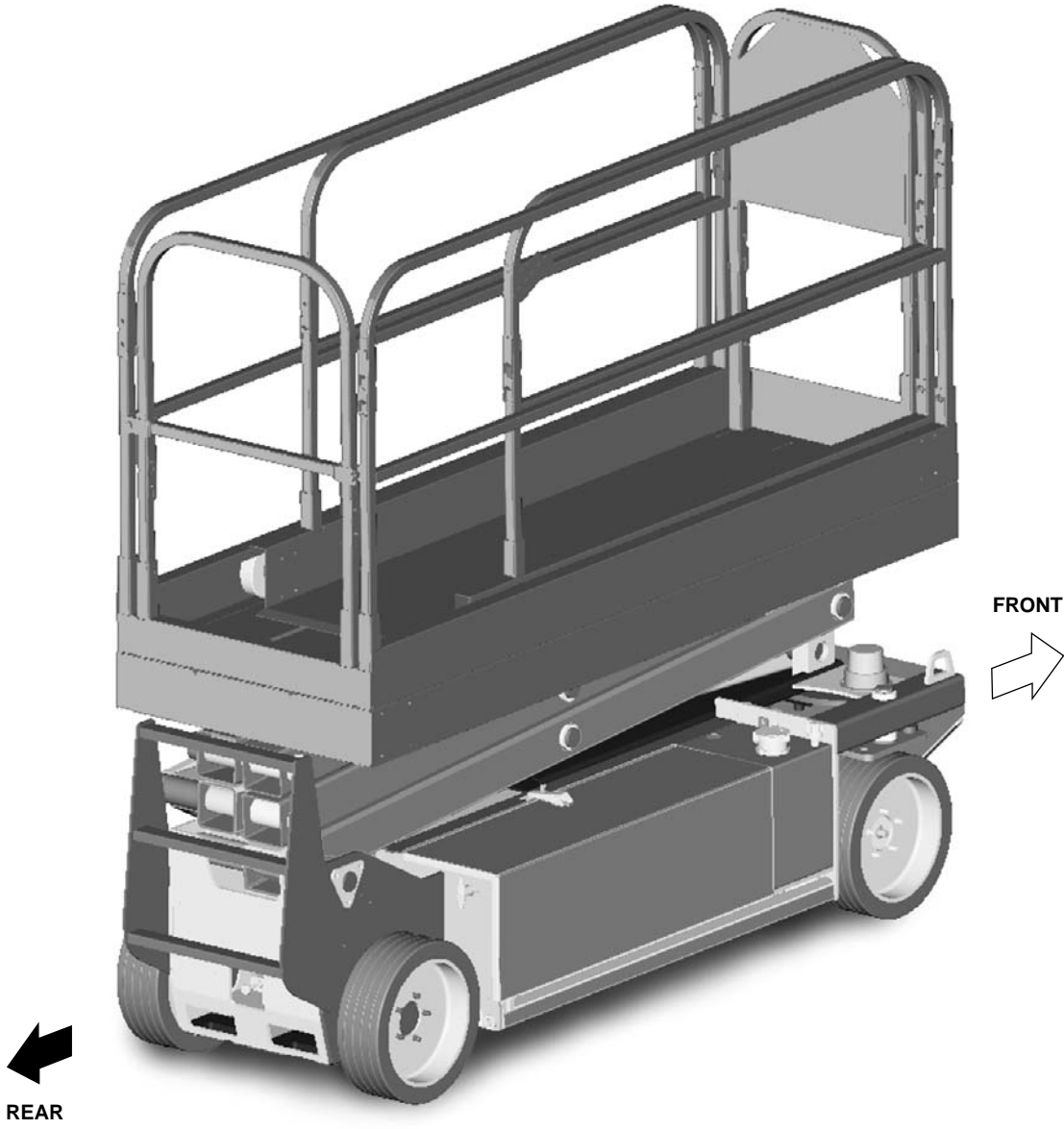
***GENERAL
POINTS***

TECHNICAL CHARACTERISTICS

81 XE

0-1-M.86 EN

0-1-M.86



CHARACTERISTICS

ELECTRIC PUMP

- Supply	24 V
- Output	3.2 KW
- Cubic capacity	4,8 cm ³
- Pressure	200 bar +/- 10 bar

ELECTRICAL CIRCUIT

0-1-M.86

- Battery	4 elements, each of 6V-220 Ah C 20
- Charger	24 V - 25 Ah
- Variator (Type)	Curtis

81 XE

SPECIFICATIONS

- Use:	Indoors
- Capacity:	
- Standard platform:	340 Kg including 2 people
- Extension extended:	120 Kg including 1 people
- Control system:	Electro-hydraulic
- Lifting system:	Single scissors
- Platform movement speed:	
- In operating position (Floor height > 2000 mm):	0.7 km/h
- High speed:	4 km/h
- High torque:	2.1 Km/h
- Time to raise/lower scissors	29 s / 33 s
- Operating height	8093 mm
- Floor height:	6093 mm
- Height with guard rails folded	1917 mm
- Overall basket size:	
- Extension retracted:	2298 x 790 mm
- Extension extended:	3290 x 790 mm
- Floor area:	
- Extension retracted	2284 x 580 mm
- Extension extended:	3235 x 580 mm
- Platform weight, empty:	1700 Kg
- No. of gears	2
- Handleadle gradient	25%
- Inclinaison, alarm activation	3,5% ou 2°
- Maximum authorized wind speed	0 km/h

0-1-M.86

FRONT / REAR TYRES

DIMENSIONS	TYPE	LOAD PER TYRE UNLOADED	UNDER MAX. LOAD ON 1 WHEEL	AREA OF GROUND CONTACT FOR 1 WHEEL	STAMPING
16-5-11.1/4	Rubber tyre	425 kg	1130 kg	94.5 cm ²	12 daN/cm ²

- Wheel nut tightening torque	
- Front wheels	7 DaNm
- Rear wheels	7 DaNm

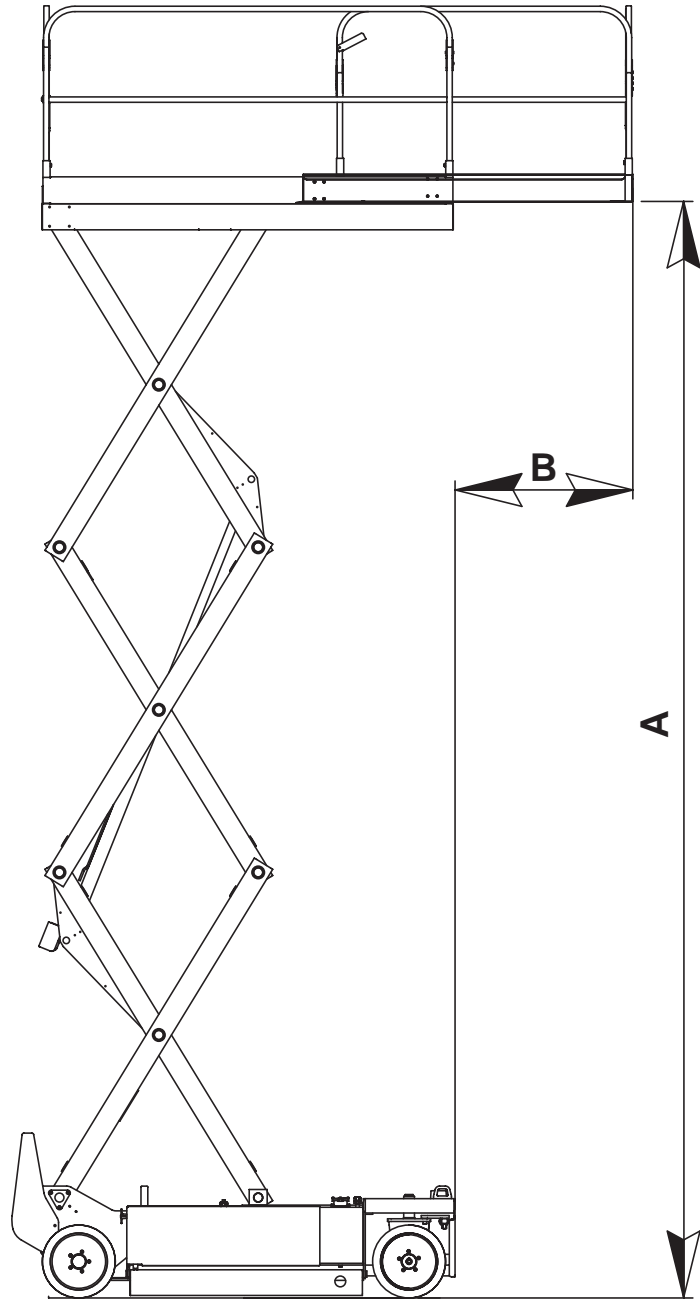
WHEEL GEARED MOTORS

- Motor	DANFOSS OMEW
---------	--------------

DIMENSIONS

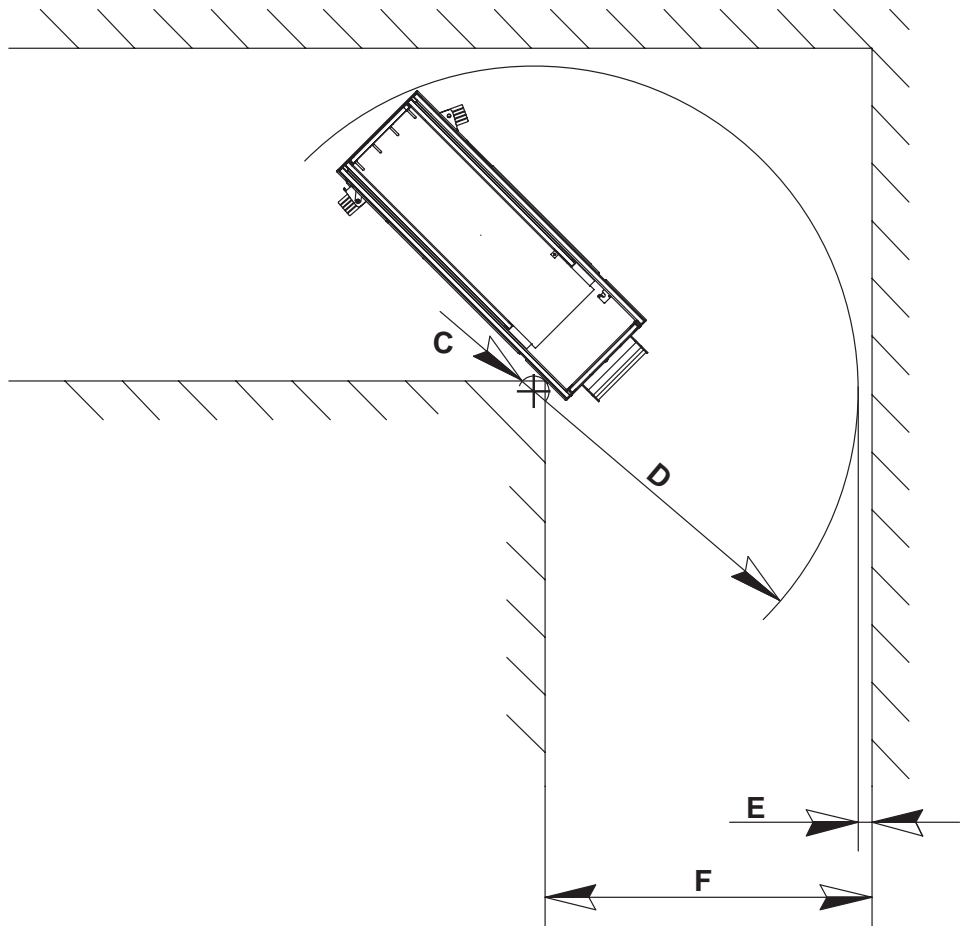
81 XE

0-1-M.86

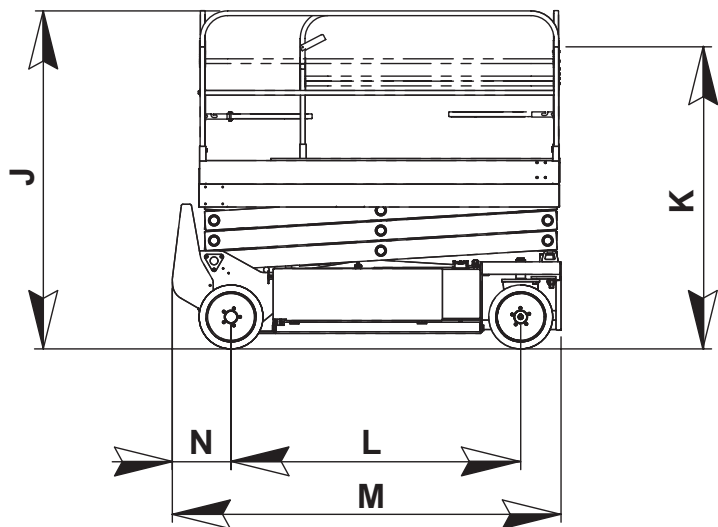
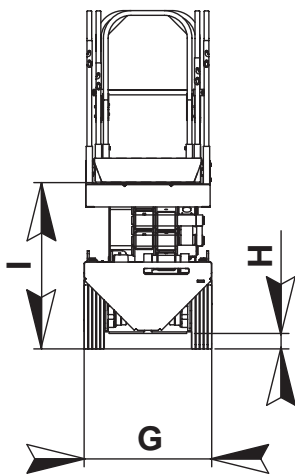


81 XE

A	6106
B	990
C	92
D	2280
E	100
F	2315
G	810
H	98
I	1056
J	2146
K	1918 <small>guard rails folded</small>
L	1839
M	2468
N	373

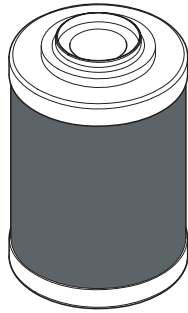


0-1-M.86

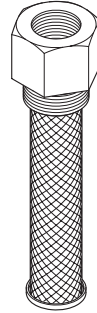


FILTER ELEMENT

0-1-M.86



1



2

DESIGNATION	REFERENCE	REPLACE AFTER	CLEAN AFTER
1 - Hydraulic oil filter cartridge	599004	400h or every year	
2 - Hydraulic tank suction strainer	598623		800h

LUBRICANTS

COMPONENTS TO LUBRICATE	CAPACITY	RECOMMENDATION	PACK	REFERENCE	
1. HYDRAULIC OIL RESERVOIR	13 Litres	MANITOU hydraulic oil ISO 46	20 L. 55 L. 209 L.	582 297 546 108 546 109	
		Cold weather oil T32	5 L. 20 L. 55 L. 209 L.	662 041 582 392 662 042 490 301	
			Natural biodegradable oil HFE46	20 L. 209 L.	582 598 582 597
				Extreme frost oil T22	20 L. 209 L.
			2. WHEEL MOTOR MOUNTING		